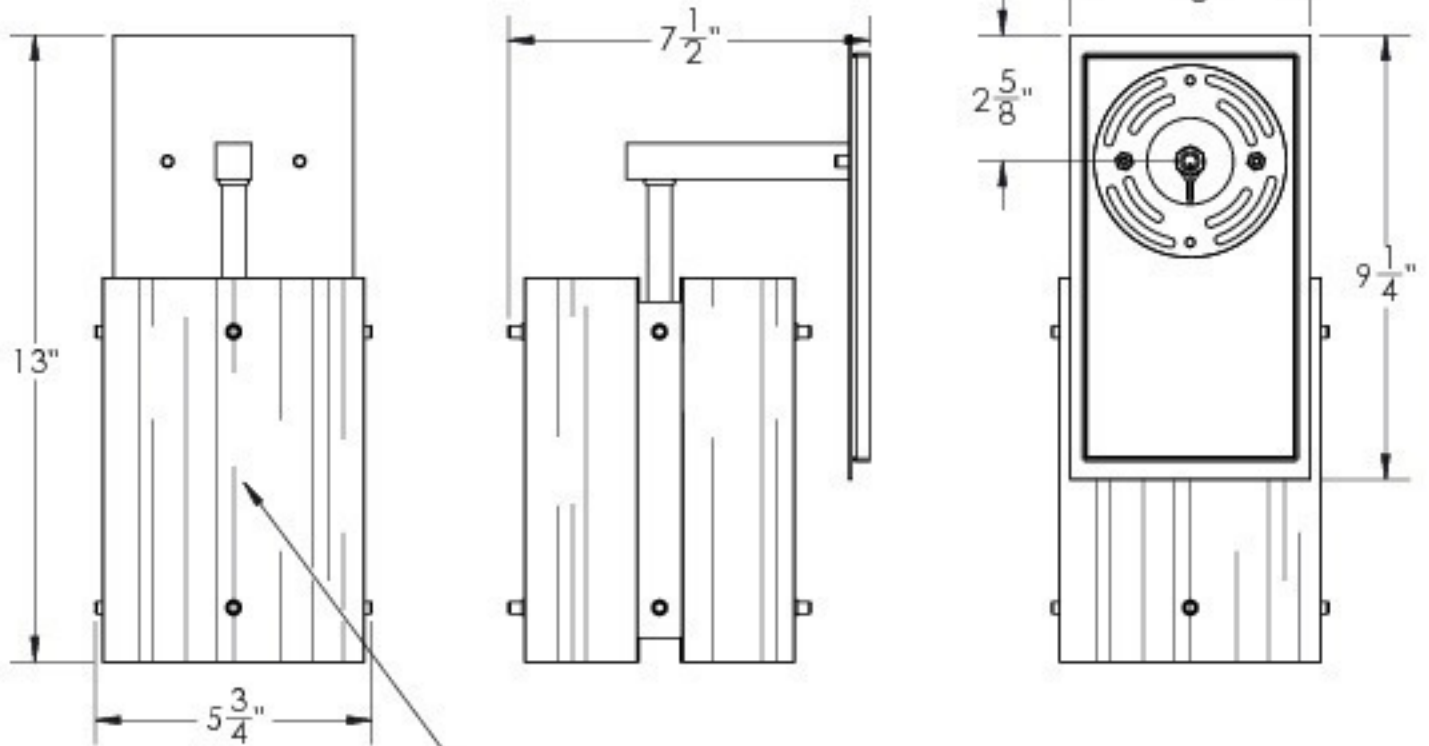
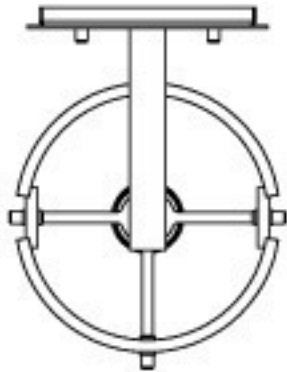


# SPECIFICATION DRAWING

Product #: IDB0017-14-XX-X



GRANITE TEXTURE GLASS

*Bulbs Not Included*

|                                  |   |
|----------------------------------|---|
| Mounting Packet: U               | Electrical Type: Incandescent                 |
| Approximate lbs.: 6              | Bulb Qty: 1    Bulb Type: A19                 |
| Finish: SEE WEB SITE FOR OPTIONS | Wattage: 60                      Voltage: 120 |
| Top Diffuser: Open               | Socket Type: MEDIUM E26 BASE                  |
| Bottom Diffuser: Open            | UL Location: Dry                              |

### Mounting Detail

